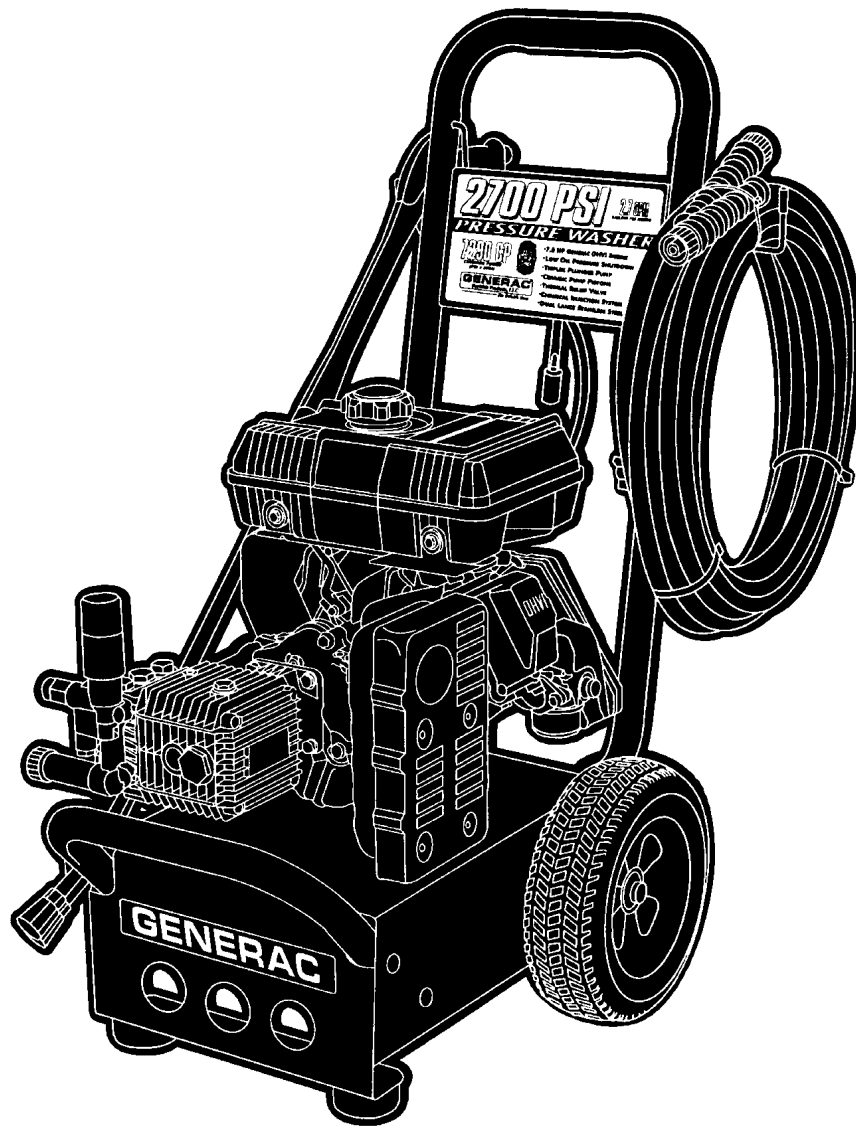


Parts Manual

Mfg. No: 1293-1
2,700 PSI



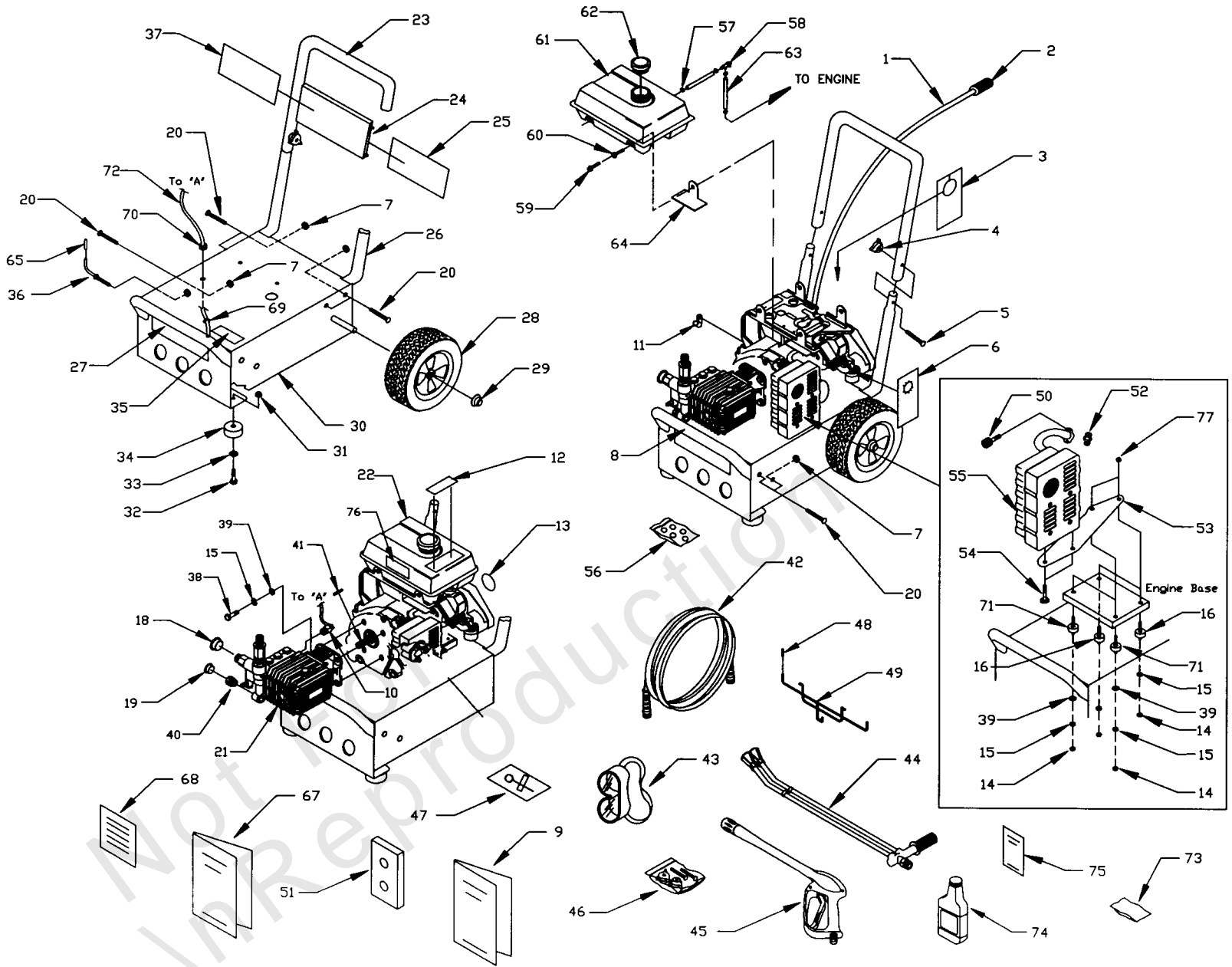
| Model Components | Page |
|---------------------------------|-------------|
| Main Unit..... | 4 |
| Pump..... | 8 |
| Torque Specification Chart..... | 12 |

Not For
In Reproduction

Main Unit

Note: Unless noted otherwise, use the standard torque specifications

Mfg. No: 1293-1



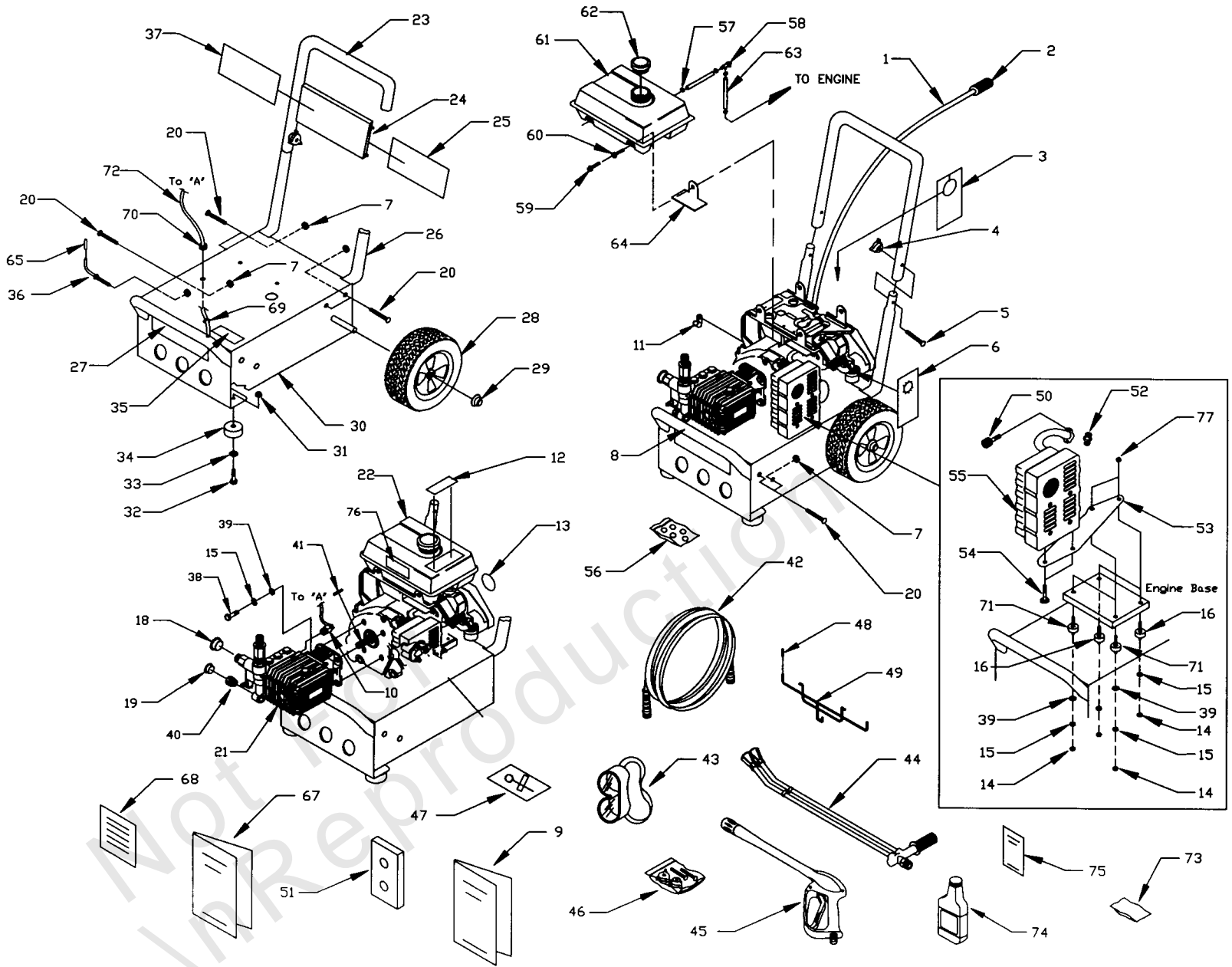
Main Unit

| REF NO | PART NO | QTY | DESCRIPTION |
|--------|---------|-----|--|
| 1 | A1040D | 1 | HOSE, 4-1/2' Chemical Clear |
| 2 | A1041 | 1 | FILTER, Chemical Hose |
| 3 | 70453 | 1 | TAG, Warning Oil |
| 4 | 97178 | 2 | KNOB, Handle 1/4" - 20 PW |
| 5 | 31669 | 2 | BOLT, 1/4" - 20 x 1-3/4" Carriage |
| 6 | B1210A | 1 | TAG, Start Instructions |
| 7 | 99583 | 8 | NUT, Flange Lock 5/16"-18 |
| 8 | B1982 | 1 | BUMPER |
| 9 | A8926 | 1 | MANUAL, Engine |
| 10 | B2727 | 1 | VALVE, Thermal Relief |
| 11 | B1232 | 1 | CLAMP, Hose 7/16" Dia. |
| 12 | 21786 | 1 | DECAL, Danger |
| 13 | 91682B | 1 | DECAL, Recoil |
| 14 | 45771 | 4 | NUT, M8 - 1.25 Hex |
| 15 | 22129 | 8 | LOCKWASHER, M8 |
| 16 | 21217 | 2 | MOUNT, Rubber Shock M8 |
| 18 | 97100 | 1 | CAP, H.P. Adapter |
| 19 | 97098 | 1 | CAP, Garden Hose Inlet |
| 20 | B2043 | 7 | BOLT, 5/16"-18 x 1-3/4" Carriage |
| 21 | B3169 | 1 | ASSEMBLY, Pump |
| 22 | ~NSP | 1 | ENGINE, Generac Power Systems -GN 220 Model EHC 04747-1 |
| 23 | B1983 | 1 | HANDLE |
| 24 | B1631A | 1 | BILLBOARD, Plastic |
| 25 | B1932 | 1 | DECAL, Instructions |
| 26 | B1981 | 2 | SUPPORT, Handle |
| 27 | B2192 | 1 | DECAL, Generac |
| 28 | B1760 | 2 | ASSEMBLY, 10" Tire & Wheel |
| 29 | 75402 | 2 | PUSHNUT, 1/2" Dia. |
| 30 | AB1770 | 1 | BASE |
| 31 | 52858 | 2 | NUT, M8 1.25 Flange Locking |
| 32 | 42909 | 2 | HHCS, M8 1.25 x 30 |
| 33 | 50190 | 2 | WASHER, M8 Flat |
| 34 | 27007 | 2 | MOUNT, Donut Type Vibration |
| 35 | 20566 | 1 | DECAL, Generac #1-800 |
| 36 | B2150 | 1 | HOOK, Gun |
| 37 | B3761 | 1 | DECAL, Logo |
| 38 | 36819 | 4 | HHCS, 5/16" - 24 x 1" |
| 39 | ----- | 6 | WASHER, Flat, 5/16 |
| 40 | 95320 | 1 | CONNECTOR, Garden Hose |
| 41 | 23139B | 1 | KEY, 3/16" Square |
| 42 | B3635 | 1 | HOSE, High Pressure |
| 43 | 87815 | 1 | GOGGLES, Safety |
| 44 | B2140D | 1 | LANCE, Dual |
| 45 | B3263 | 1 | GUN, High Pressure |
| 46 | B2203 | 1 | KIT, Handle Fastening |
| 47 | B2508 | 1 | KIT, Cleaning |
| 48 | B1460 | 2 | CAP, Vinyl (black) |
| 49 | B2168A | 1 | HANGER, Hose, Gun, Chem Bottle |
| 50 | 40976 | 2 | SHCS, M8 1.25 x 20 |
| 51 | B2431 | 1 | VIDEO |

Main Unit

Note: Unless noted otherwise, use the standard torque specifications

Mfg. No: 1293-1



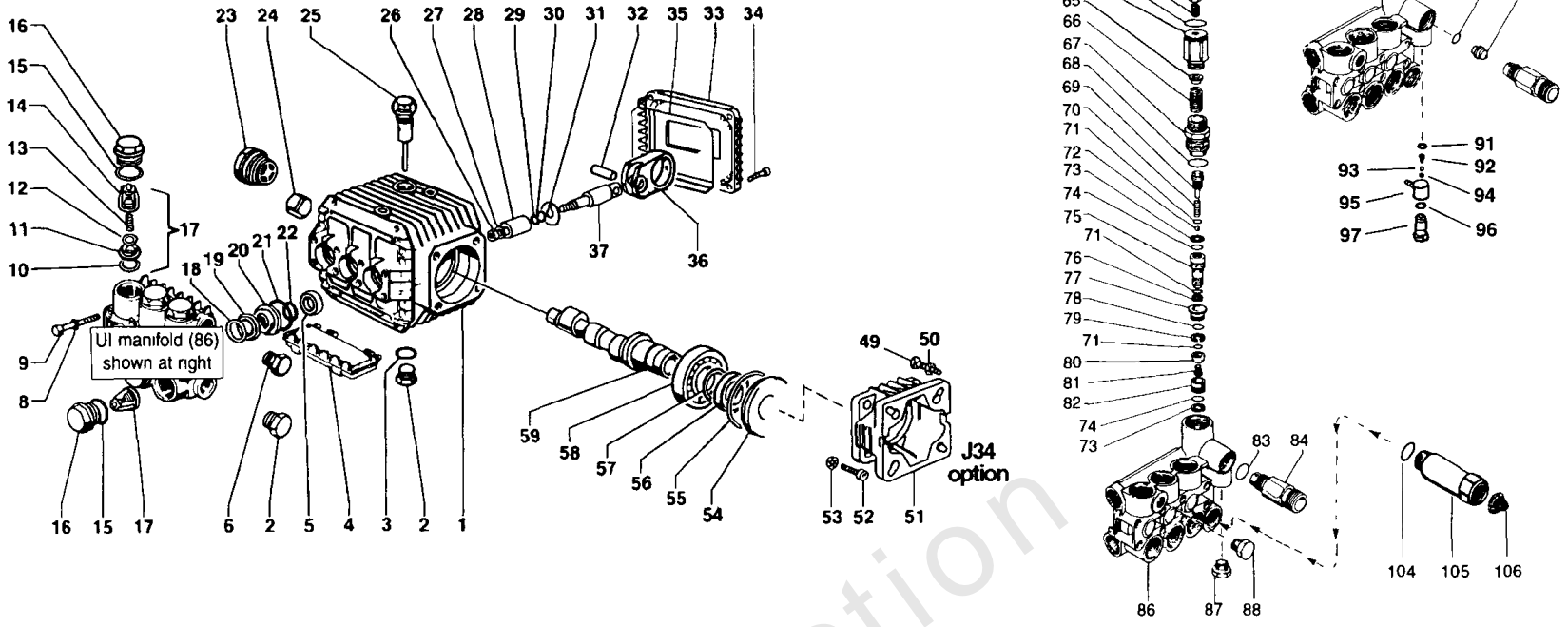
Main Unit

| REF NO | PART NO | QTY | DESCRIPTION |
|--------|---------|-----|---|
| 52 | 89476 | 1 | GASKET, Exhaust |
| 53 | 83208 | 1 | BRACKET, Muffler |
| 54 | 66476 | 2 | HHCS, M6 1.0 x 12 |
| 55 | 83071 | 1 | MUFFLER |
| 56 | B3062 | 1 | KIT, Maintenance |
| 57 | 48031C | 3 | CLAMP, Hose |
| 58 | 96193 | 1 | VALVE, Fuel Shut Off |
| 59 | 96001 | 4 | BOLT, M6 - 1.0 x 21 Shoulder |
| 60 | 96002 | 4 | BUSHING, Tank |
| 61 | 94994 | 1 | TANK, 1 Gal Fuel |
| 62 | 95549 | 1 | CAP, Fuel |
| 63 | 30340C | 1 | HOSE, Fuel-1/4" I.D. |
| 64 | 21545 | 1 | SHIELD, Heat |
| 65 | B2516 | 1 | CAP, Vinyl (black) |
| 67 | B3836 | 1 | MANUAL |
| 68 | 88681 | 1 | CARD, Owner Registration |
| 69 | 48031B | 1 | CLAMP, Hose 3/8" |
| 70 | 30809 | 1 | GROMMET, Rubber |
| 71 | B3800 | 2 | MOUNT, Rubber Shock, M8 |
| 72 | B3107A | 1 | HOSE, Thermal Relief |
| 73 | 85883 | 1 | STA-BIL |
| 74 | BB3061 | 1 | OIL, 28 oz. |
| 75 | 83831 | 1 | BROCHURE, Sta-Bil |
| 76 | 81886 | 1 | DECAL, Sta-Bil |
| 77 | 67989 | 4 | NUT, M8 Flange Locking Hex M8 - 1.25 Serrated |

Pump

Note: Unless noted otherwise, use the standard torque specifications

Mfg. No: 1293-1



Not For
InReproduction

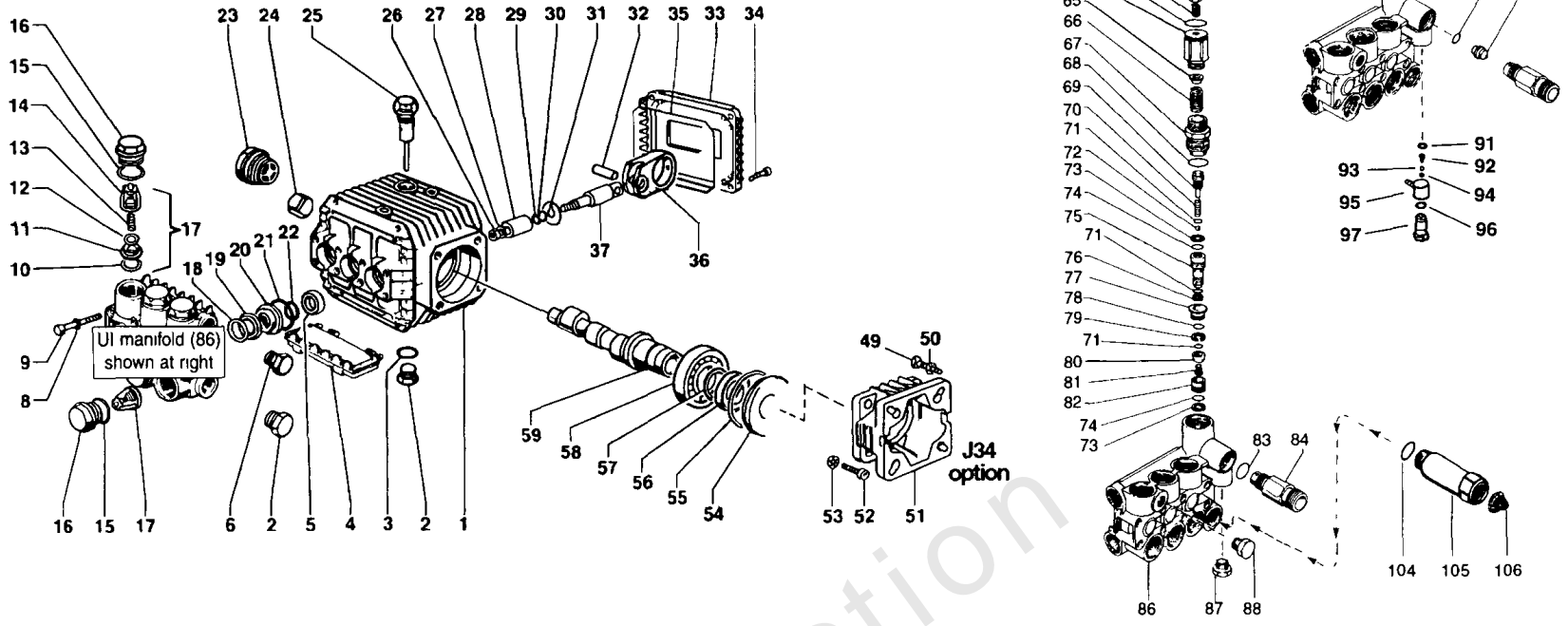
Pump

| REF NO | PART NO | QTY | DESCRIPTION |
|--------|-----------|-----|---|
| 1 | 10092293P | 1 | Crankcase |
| 2 | 10192293P | 1 | Plug |
| 3 | 10292293P | 1 | O-Ring |
| 4 | 10392293P | 1 | Protector |
| | 50092293P | 3 | Oil Seal -Repair Kit; Includes item 5 |
| 5 | 104B3169 | 3 | Oil Seal |
| 6 | 10492293P | 1 | Plug |
| 8 | 10692293P | 8 | Washer |
| 9 | 10792293P | 8 | Screw |
| | 50092294P | 6 | Valve Kit -Repair Kit; Includes items 10, 11, 12, 13, 14, (17) |
| 10 | 108B3169 | 6 | O-Ring |
| 11 | 109B3169 | 6 | Valve Seat |
| 12 | 110B3169 | 6 | Valve Plate |
| 13 | 111B3169 | 6 | Spring |
| 14 | 112B3169 | 6 | Valve Cage |
| 15 | 10892293P | 6 | O-Ring |
| 16 | 114B3169 | 6 | Valve Cap |
| 17 | 115B3169 | 6 | Valve Assy. |
| | 195B3169 | 3 | O-Ring -Repair Kit; Includes items 18, 19, 21, 22 |
| | 50392293P | 1 | O-Ring -Repair Kit; Includes items 18, 19, 20, 21, 22 |
| 18 | 116B3169 | 3 | Head Ring |
| 19 | 117B3169 | 3 | Packing |
| | 192B3169 | 3 | O-Ring -Repair Kit; Includes items 20, 21, 22 |
| 20 | 118B3169 | 3 | Packing Retainer |
| 21 | 119B3169 | 3 | O-Ring |
| 22 | 120B3169 | 3 | O-Ring |
| 23 | 11092293P | 1 | Sight Gauge |
| 24 | 11192293P | 1 | Needle Bearing |
| 25 | 94504 | 1 | Oil Dip Stick |
| 26 | 11292293P | 3 | Nut |
| 27 | 11392293P | 3 | Washer |
| 28 | 15092293P | 3 | Plunger |
| 29 | 11492293P | 3 | O-Ring |
| 30 | 11592293P | 3 | Back Up Ring |
| 31 | 11692293P | 3 | Flinger Washer |
| 32 | 11792293P | 3 | Conn. Rod Pin |
| 33 | 11892293P | 1 | Crankcase Cover |
| 34 | 12692293P | 4 | Screw |
| 35 | 12092293P | 1 | Cover O-Ring |
| 36 | 134B3169 | 3 | Connecting Rod |
| 37 | 12292293P | 3 | Plunger Rod |
| 49 | 136B3169 | 4 | Screw |
| 50 | 137B3169 | 4 | Washer |
| 51 | 138B3169 | 1 | Flange |
| 52 | 12692293P | 4 | Screw |
| 53 | 10692293P | 4 | Washer |
| 54 | 12892293P | 1 | Spacer |
| 55 | 12992293P | 1 | O-Ring |

Pump

Note: Unless noted otherwise, use the standard torque specifications

Mfg. No: 1293-1



Pump

| REF NO | PART NO | QTY | DESCRIPTION |
|--------|-----------|-----|---|
| 56 | 13092293P | 1 | Oil Seal |
| 57 | 13192293P | 1 | Snap Ring |
| 58 | 13292293P | 1 | Bearing |
| 59 | 146B3169 | 1 | Crankshaft |
| 60 | 13492293P | 1 | Knob |
| 61 | 148B3169 | 1 | Bolt |
| 62 | 149B3169 | 1 | Nut |
| 63 | 13792293P | 1 | O-Ring |
| 64 | 13892293P | 1 | Pressure Regulator |
| 65 | 152B3169 | 1 | Seal |
| 66 | 14092293P | 1 | Spring |
| | 50592293P | | O-Ring -Repair Kit; Includes items 67,68,69,70,71,72,73,74,75,76,77,78,79,80,81,82 |
| 67 | 154B3169 | 1 | Bushing |
| 68 | 10892293P | 1 | O-Ring |
| 69 | 156B3169 | 1 | Stopper |
| 70 | 157B3169 | 1 | Spring |
| 71 | 158B3169 | 3 | O-Ring |
| 72 | 159B3169 | 1 | Ball |
| 73 | 160B3169 | 2 | Back Up Ring |
| 74 | 161B3169 | 2 | O-Ring |
| 75 | 162B3169 | 1 | Piston |
| 76 | 163B3169 | 1 | Back Up Ring |
| 77 | 164B3169 | 1 | Valve Guide |
| 78 | 165B3169 | 1 | O-Ring |
| 79 | 166B3169 | 1 | Back Up Ring |
| 80 | 167B3169 | 1 | Valve |
| 81 | 168B3169 | 1 | Screw |
| 82 | 169B3169 | 1 | Valve Seal |
| | 50692294P | | O-Ring -Repair Kit; Includes items 83,89,91,92,93,94,95,96 |
| 83 | 170B3169 | 1 | O-Ring |
| 84 | 14192293P | 1 | Nipple |
| 86 | 172B3169 | 1 | U I Manifold |
| 87 | 173B3169 | 1 | Cap |
| 88 | 10492293P | 1 | Cap |
| 89 | 161B3169 | 1 | O-Ring |
| 90 | 14292293P | 1 | Nozzle |
| 91 | 177B3169 | 1 | O-Ring |
| 92 | 178B3169 | 1 | Spring |
| 93 | 179B3169 | 1 | Ball |
| 94 | 11492293P | 1 | O-Ring |
| 95 | 197B3169 | 1 | Hosebarb |
| 96 | 11292293P | 1 | O-Ring |
| 97 | 199B3169 | 1 | Inspector Housing |
| 104 | ---- | | UNKNOWN |
| 105 | ---- | | UNKNOWN |
| 106 | ---- | | UNKNOWN |

Hardware Identification & Torque Specifications

| Torque Specification Chart | | | | | | | | |
|--|-----------|------|-----------|------|------------|------|------------|------|
| FOR STANDARD METRIC MACHINE HARDWARE (Tolerance ± 20%) | | | | | | | | |
| Property Class | 5.6 | | 8.8 | | 10.9 | | 12.9 | |
| | Class 5.6 | | Class 8.8 | | Class 10.9 | | Class 12.9 | |
| Size Of Hardware | in/lbs | Nm. | in/lbs | Nm. | in/lbs | Nm. | in/lbs | Nm. |
| | ft/lbs | | ft/lbs | | ft/lbs | | ft/lbs | |
| M3 | 5.88 | .56 | 13.44 | 1.28 | 19.2 | 1.80 | 22.92 | 2.15 |
| M4 | 13.44 | 1.28 | 30.72 | 2.90 | 43.44 | 4.10 | 52.56 | 4.95 |
| M5 | 26.4 | 2.50 | 60.96 | 5.75 | 5.97 | 8.10 | 7.15 | 9.7 |
| M6 | 44.64 | 4.3 | 7.3 | 9.9 | 10.3 | 14 | 12.1 | 16.5 |
| M7 | 5.2 | 7.1 | 12.1 | 16.5 | 16.9 | 23 | 19.9 | 27 |
| M8 | 7.7 | 10.5 | 17.7 | 24 | 25 | 34 | 29 | 40 |
| M10 | 15 | 21 | 35 | 48 | 50 | 67 | 59 | 81 |
| M12 | 26 | 36 | 61 | 83 | 86.2 | 117 | 103 | 140 |
| M14 | 42 | 58 | 101 | 132 | 136 | 185 | 162 | 220 |
| M16 | 64 | 88 | 147 | 200 | 210 | 285 | 250 | 340 |
| M18 | 89 | 121 | 202 | 275 | 287 | 390 | 346 | 470 |
| M20 | 126 | 171 | 290 | 390 | 405 | 550 | 486 | 660 |
| M22 | 169 | 230 | 390 | 530 | 559 | 745 | 656 | 890 |
| M24 | 217 | 295 | 497 | 375 | 708 | 960 | 840 | 1140 |
| M27 | 320 | 435 | 733 | 995 | 1032 | 1400 | 1239 | 1680 |
| M30 | 435 | 590 | 995 | 1350 | 1401 | 1900 | 1681 | 2280 |
| M33 | 590 | 800 | 1349 | 1830 | 1902 | 2580 | 2278 | 3090 |
| M36 | 759 | 1030 | 1740 | 2360 | 2441 | 3310 | 2935 | 3980 |
| M39 | 988 | 1340 | 2249 | 3050 | 3163 | 4290 | 3798 | 5150 |

| Torque Specification Chart | | | | | | |
|---|-------------|-------|-------------|-------|-------------|---------|
| FOR STANDARD MACHINE HARDWARE (Tolerance ± 20%) | | | | | | |
| Hardware Grade | No Marks | | SAE Grade 5 | | SAE Grade 8 | |
| | SAE Grade 2 | | SAE Grade 5 | | SAE Grade 8 | |
| Size Of Hardware | in/lbs | Nm. | in/lbs | Nm. | in/lbs | Nm. |
| | ft/lbs | | ft/lbs | | ft/lbs | |
| 8-32 | 19 | 2.1 | 30 | 3.4 | 41 | 4.6 |
| 8-36 | 20 | 2.3 | 31 | 3.5 | 43 | 4.9 |
| 10-24 | 27 | 3.1 | 43 | 4.9 | 60 | 6.8 |
| 10-32 | 31 | 3.5 | 49 | 5.5 | 68 | 7.7 |
| 1/4-20 | 66 | 7.6 | 8 | 10.9 | 12 | 16.3 |
| 1/4-28 | 76 | 8.6 | 10 | 13.6 | 14 | 19.0 |
| 5/16-18 | 11 | 15.0 | 17 | 23.1 | 25 | 34.0 |
| 5/16-24 | 12 | 16.3 | 19 | 25.8 | 29 | 34.0 |
| 3/8-16 | 20 | 27.2 | 30 | 40.8 | 45 | 61.2 |
| 3/8-24 | 23 | 31.3 | 35 | 47.6 | 50 | 68.0 |
| 7/16-14 | 30 | 40.8 | 50 | 68.0 | 70 | 95.2 |
| 7/16-20 | 35 | 47.6 | 55 | 74.8 | 80 | 108.8 |
| 1/2-13 | 50 | 68.0 | 75 | 102.0 | 110 | 149.6 |
| 1/2-20 | 55 | 74.8 | 90 | 122.4 | 120 | 163.2 |
| 9/16-12 | 65 | 88.4 | 110 | 149.6 | 150 | 204.0 |
| 9/16-18 | 75 | 102.0 | 120 | 163.2 | 170 | 231.2 |
| 5/8-11 | 90 | 122.4 | 150 | 204.0 | 220 | 299.2 |
| 5/8-18 | 100 | 136 | 180 | 244.8 | 240 | 326.4 |
| 3/4-10 | 160 | 217.6 | 260 | 353.6 | 386 | 525.0 |
| 3/4-16 | 180 | 244.8 | 300 | 408.0 | 420 | 571.2 |
| 7/8-9 | 140 | 190.4 | 400 | 544.0 | 600 | 816.0 |
| 7/8-14 | 155 | 210.8 | 440 | 598.4 | 660 | 897.6 |
| 1-8 | 220 | 299.2 | 580 | 788.8 | 900 | 1,244.0 |
| 1-12 | 240 | 326.4 | 640 | 870.4 | 1,000 | 1,360.0 |

The guides and ruler furnished below are designed to help you select the appropriate hardware.

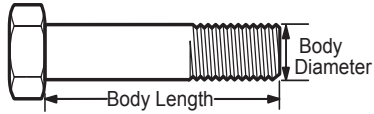


Nut, M8

Thread Diameter (mm)

Inside Diameter (in) Threads per inch

Nut, 1/2-16



Screw, M8- 1.25 x 25

Thread Diameter (mm) Distance between threads (mm) Body Length (mm)

Body Diameter Threads per inch Body Length (in)

Screw, 1/2- 16 x 2



Standard Hardware Sizing

When a washer or nut is identified as 1/2" (M8), this is the *Nominal size*, meaning the *inside diameter* is 1/2 inch (8mm metric thread diameter); if a second number is present it represents the *threads per inch* (distance between threads).

When bolt or capscrew is identified as 1/2 - 16 x 2" (M8 - 1.25 x 50), this means the *Nominal size*, or body diameter is 1/2 inch (8mm metric thread diameter), the second number, 16, represents the *threads per inch*, (*distance between threads*). The final number is the body length of the bolt or screw, 2 inches (50mm).

NOTES

- These torque values are to be used for all hardware excluding: locknuts, self-tapping screws, thread forming screws, sheet metal screws and socket head setscrews.
- Recommended seating torque values for locknuts:
 - for prevailing torque locknuts - use 65% of grade 5 torques.
 - for flange whizlock nuts and screws - use 135% of grade 5 torques.
- Unless otherwise noted on assembly drawings, all torque values must meet this specification.

Common Hardware Types

Hex Head Capscrew



Washer



Carriage Bolt



Hex Nut

Wrench & Fastener Size Guide

| | | | | |
|----------------------------------|----------------------------------|----------------------------------|--|---------------------------------|
| | | | | |
| 1/4" Bolt or Nut Wrench—7/16" | 5/16" Bolt or Nut Wrench—1/2" | 3/8" Bolt or Nut Wrench—9/16" | 7/16" Bolt or Nut Wrench (Bolt)—5/8" Wrench (Nut)—11/16" | 1/2" Bolt or Nut Wrench—3/4" |
| M6 Bolt or Nut Wrench—10mm | M8 Bolt or Nut Wrench—13mm | M10 Bolt or Nut Wrench—17mm | M12 Bolt or Nut Wrench—19mm | M14 Bolt or Nut Wrench—22mm |

